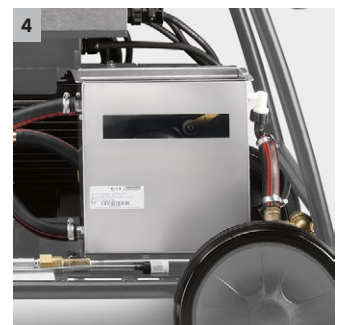
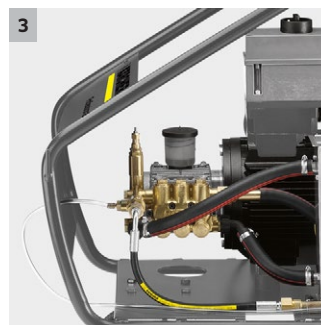




HD 10/16-4 Cage Ex

The explosion-proof HD 10/16-4 Cage Ex high-pressure cleaner was developed specially for use in ATEX zones. Working pressure 160 bar, corresponding to a water flow of 1,000 litres per hour.



1 Powder-coated cage frame, electrically conductive

- Robust tubular steel frame.
- With integrated crane hook.

2 Explosion-proof equipment

- Conductive rubber tyres.
- Surface temperature always under 200°C.

3 Powerful and durable

- Four-pole, low-speed air-cooled electric motor.
- Robust brass cylinder head and ceramic piston.

4 Operational safety

- The fresh water filter protects the components and can be removed without tools for cleaning.
- Protects the pump against dry running.



HD 10/16-4 Cage Ex

- Explosion protection II 2 G c T3
- Crankshaft pump with ceramic pistons
- 4-pole air-cooled electric motor

Technical data

Order no.	1.353-904.0	
EAN code	4054278157887	
Current type	Ph / V / Hz	3 / 400 / 50
Flow rate	l/h	1000
Working pressure	bar / MPa	160 / 16
Max. pressure	bar / MPa	220 / 22
Max. inlet temperature	°C	50
Connected load	kW	5.5
Number of simultaneous users		1
Portability		cart
Weight	kg	122.6
Dimensions (L × W × H)	mm	980 × 720 × 1100

Equipment

Spray gun	EASY!Force Ex protection	
High-pressure hose	m	10 / DN 8, 400 bar
Spray lance	mm	1050
Power nozzle		■
ANTI!Twist		-
Pressure switch-off		■
High-pressure spray lance		■
Servo control		-

■ Included in the scope of supply.

HD 10/16-4 CAGE EX

1.353-904.0



		Order no.	Flow rate				Price	Description	
Trigger guns									
EASY!Force Ex	1	4.118-020.0						Approved for use in hazardous areas, designed for fatigueless working: the EASY!Force high-pressure gun uses the recoil force of the high-pressure jet and reduces the holding force for the operator to zero.	■

■ Included in the scope of supply.

HD 10/16-4 CAGE EX 1.353-904.0



1-2

		Order no.	Nozzle size				Price	Description	
HP nozzle spray angle 0°									
Power nozzle	1	2.113-036.0	60					Solid jet for very stubborn dirt and stains.	■
Power nozzle spray angle 25°									
Power nozzle	2	2.113-026.0	60					Fan jet nozzle for large-area coverage and stubborn dirt and stains.	■

■ Included in the scope of supply.

HD 10/16-4 CAGE EX 1.353-904.0



		Order no.	ID	Max. working pressure	Length	Price	Description	
Special hoses								
High-pressure hose Ex	1	6.110-064.0	DN 8	400 bar	10 m		Electrically conductive, 10 m long high-pressure hose for use in hazardous areas. 10 m long high-pressure hose with EASY!Lock hand screw connections at both ends.	■

■ Included in the scope of supply.